



DEPARTMENT OF REGULATORY AND ECONOMIC RESOURCES (RER)
BOARD AND CODE ADMINISTRATION DIVISION

NOTICE OF ACCEPTANCE (NOA)

MIAMI-DADE COUNTY
PRODUCT CONTROL SECTION
11805 SW 26 Street, Room 208
Miami, Florida 33175-2474
T (786) 315-2590 F (786) 315-2599

www.miamidade.gov/economy

American Aluminum Doors Corp.
1026 East 24 Street
Hialeah, FL 33013

SCOPE:

This NOA is being issued under the applicable rules and regulations governing the use of construction materials. The documentation submitted has been reviewed and accepted by Miami-Dade County RER-Product Control Section to be used in Miami Dade County and other areas where allowed by the Authority Having Jurisdiction (AHJ).

This NOA shall not be valid after the expiration date stated below. The Miami-Dade County Product Control Section (In Miami Dade County) and/or the AHJ (in areas other than Miami Dade County) reserve the right to have this product or material tested for quality assurance purposes. If this product or material fails to perform in the accepted manner, the manufacturer will incur the expense of such testing and the AHJ may immediately revoke, modify, or suspend the use of such product or material within their jurisdiction. RER reserves the right to revoke this acceptance, if it is determined by Miami-Dade County Product Control Section that this product or material fails to meet the requirements of the applicable building code.

This product is approved as described herein, and has been designed to comply with the Florida Building Code, including the High Velocity Hurricane Zone.

DESCRIPTION: Outswing Glazed Aluminum French Door w/ or w/o Sidelites – N.I.

APPROVAL DOCUMENT: Drawing No. **W05-02**, titled "Aluminum Outswing French Door (N.I.)", sheets 1 through 6 of 6, dated 01/11/05, with revision E dated 11/01/17, prepared by Al-Farooq Corporation, signed and sealed by Javad Ahmad, P.E., bearing the Miami-Dade County Product Control Revision stamp with the Notice of Acceptance number and expiration date by the Miami-Dade County Product Control Section.

MISSILE IMPACT RATING: None

LABELING: Each unit shall bear a permanent label with the manufacturer's name or logo, city, state, model/series, and following statement: "Miami-Dade County Product Control Approved", unless otherwise noted herein.

RENEWAL of this NOA shall be considered after a renewal application has been filed and there has been no change in the applicable building code negatively affecting the performance of this product.

TERMINATION of this NOA will occur after the expiration date or if there has been a revision or change in the materials, use, and/or manufacture of the product or process. Misuse of this NOA as an endorsement of any product, for sales, advertising or any other purposes shall automatically terminate this NOA. Failure to comply with any section of this NOA shall be cause for termination and removal of NOA.

ADVERTISEMENT: The NOA number preceded by the words Miami-Dade County, Florida, and followed by the expiration date may be displayed in advertising literature. If any portion of the NOA is displayed, then it shall be done in its entirety.

INSPECTION: A copy of this entire NOA shall be provided to the user by the manufacturer or its distributors and shall be available for inspection at the job site at the request of the Building Official.

This NOA revises NOA # **15-0211.07** and consists of this page 1 and evidence page E-1 and E-2, as well as approval document mentioned above.

The submitted documentation was reviewed by **Jorge M. Plasencia, P.E.**



J.P.
2/05/2018

NOA No. 17-1226.07
Expiration Date: April 28, 2020
Approval Date: February 15, 2018
Page 1

American Aluminum Doors Corp.

NOTICE OF ACCEPTANCE: EVIDENCE SUBMITTED

1. EVIDENCE SUBMITTED UNDER PREVIOUS NOA'S

A. DRAWINGS

1. Drawing No. **W05-02**, titled "Aluminum Outswing French Door (N.I.)", sheets 1 through 6 of 6, dated 01/11/2005, with revision C dated 01/13/2012, prepared by Al-Farooq Corporation, signed and sealed by Javad Ahmad, P.E.

B. TESTS "*Submitted under NOA# 05-0223.02*"

1. Test reports on 1) Air Infiltration Test per FBC, TAS 202-94
2) Uniform Static Air Pressure Test Loading per FBC, TAS 202-94
3) Water Resistance Test per FBC, TAS 202-94
4) Forced Entry Test, per FBC 2411.3.2.1 (b) and TAS 202-94
along with marked-up drawings and installation diagram of aluminum door line, prepared by Hurricane Engineering & Testing, Test Report No. **HETI-04-1411**, dated 10/11/2004, signed and sealed by Ivonne Ghia, P.E.

C. CALCULATIONS

1. Anchor verification calculations and structural analysis, complying with the 5th edition (2014) FBC, prepared by Al-Farooq Corporation, dated 12/09/2014, signed and sealed by Javad Ahmad, P.E. **Complies with ASTM E1300-09**

"Submitted under NOA# 10-0126.05"

2. Anchor verification calculations and structural analysis, complying with FBC-2007, prepared by Al-Farooq Corporation, dated 12/09/2009, signed and sealed by Arshad Viqar, P.E. **Complies with ASTM E1300-02/04**

D. QUALITY ASSURANCE

1. Miami-Dade Department of Regulatory and Economic Resources (RER)

E. MATERIAL CERTIFICATIONS


1. None.

F. STATEMENTS

1. Statement letter of code conformance to the 5th edition (2014) FBC and of no financial interest, issued by Al-Farooq Corporation, dated 12/09/2014, signed and sealed by Javad Ahmad, P.E.

"Submitted under NOA# 12-0214.04"

2. Statement letter of code conformance to 2010 FBC and no financial interest, issued by Al-Farooq Corporation, dated 01/20/2012, signed and sealed by Javad Ahmad, P.E.



Jorge M. Plasencia, P.E.
Product Control Unit Supervisor
NOA No. 17-1226.07
Expiration Date: April 28, 2020
Approval Date: February 15, 2018

American Aluminum Doors Corp.

NOTICE OF ACCEPTANCE: EVIDENCE SUBMITTED

2. NEW EVIDENCE SUBMITTED

A. DRAWINGS

1. Drawing No. **W05-02**, titled "Aluminum Outswing French Door (N.I.)", sheets 1 through 6 of 6, dated 01/11/05, with revision E dated 11/01/17, prepared by Al-Farooq Corporation, signed and sealed by Javad Ahmad, P.E.

B. TESTS

1. None.

C. CALCULATIONS

1. Anchor verification calculations and structural analysis, complying **FBC 5th Edition (2014)** and with **FBC 6th Edition (2017)**, prepared by Al-Farooq Corporation, dated 10/27/17, signed and sealed by Javad Ahmad, P.E.

D. QUALITY ASSURANCE

1. Miami-Dade Department of Regulatory and Economic Resources (RER)

E. MATERIAL CERTIFICATIONS


1. None.

F. STATEMENTS

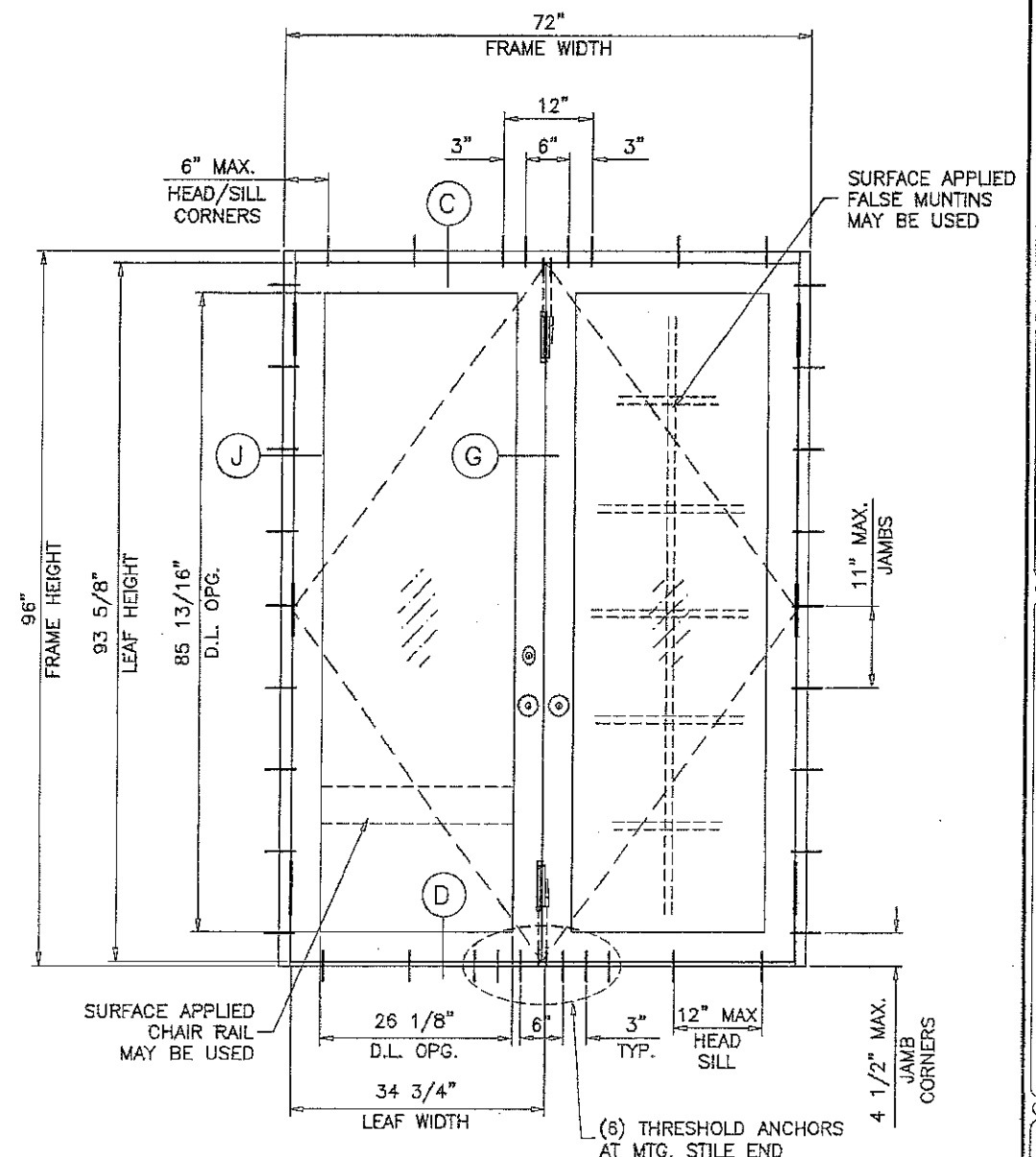
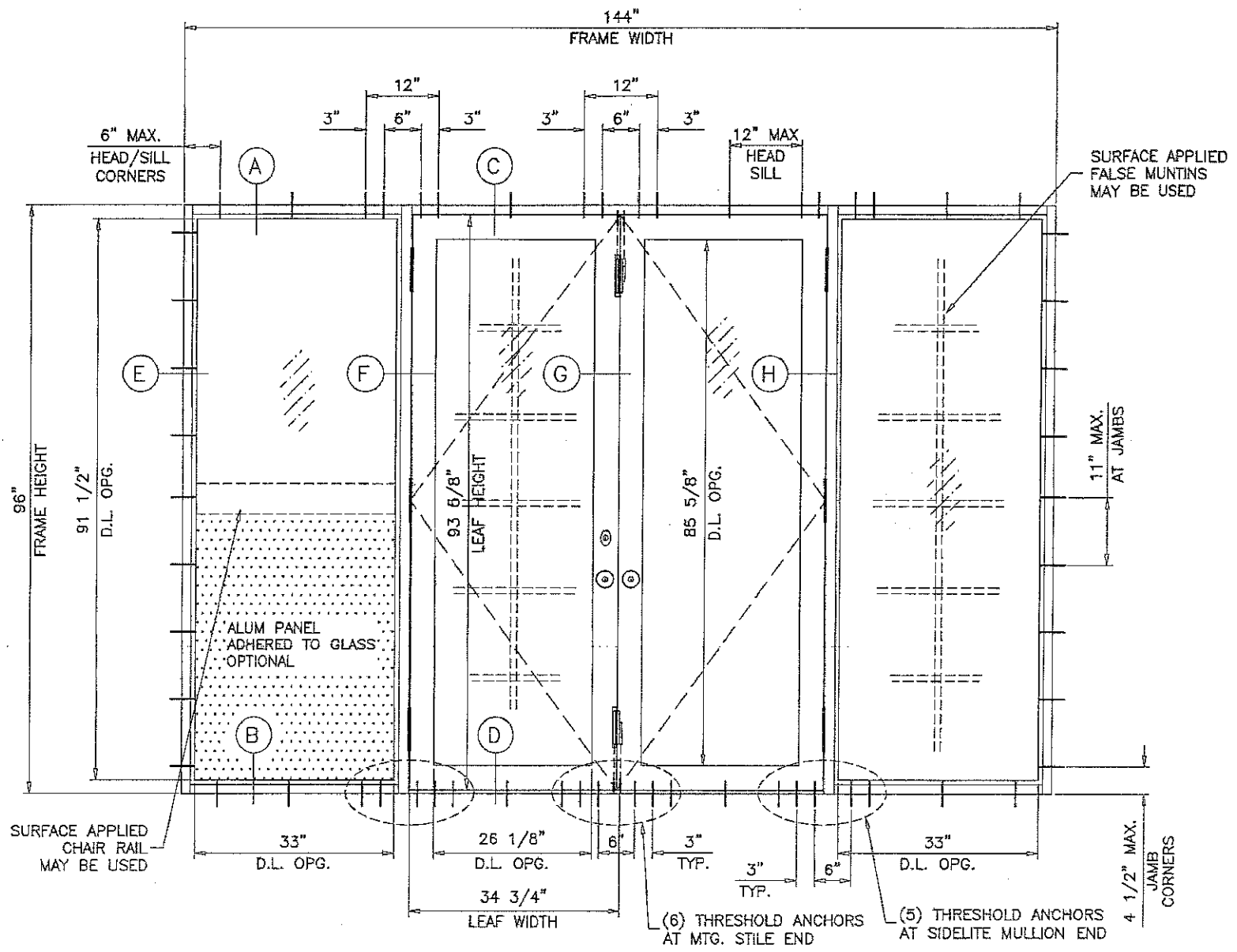
1. Statement letter of conformance to **FBC 5th Edition (2014)** and **FBC 6th Edition (2017)** and of no financial interest, issued by Al-Farooq Corporation, dated 10/27/17, signed and sealed by Javad Ahmad, P.E.

G. OTHERS

1. This NOA revises NOA 15-0211.07, expiring on 04/28/2020.



Jorge M. Plasencia, P.E.
Product Control Unit Supervisor
NOA No. 17-1226.07
Expiration Date: April 28, 2020
Approval Date: February 15, 2018



ALUMINUM OUTSWING FRENCH DOOR (N.I.)

APPROVAL APPLIES TO SINGLE (X) AND DOUBLE (XX) LEAF DOORS WITH OR WITHOUT SIDELITES.
 SIDE LITES CAN BE ON ONE OR BOTH SIDES OF DOOR.
 SEE SHEET 2 FOR DESIGN LOAD CAPACITIES.

THIS PRODUCT HAS BEEN DESIGNED AND TESTED TO COMPLY WITH THE REQUIREMENTS OF THE 2014 (5TH EDITION)/2017 (6TH EDITION) FLORIDA BUILDING CODE INCLUDING HIGH VELOCITY HURRICANE ZONE (HVHZ).

1BY OR 2BY WOOD BUCKS & BUCK FASTENERS BY OTHERS, MUST BE DESIGNED AND INSTALLED ADEQUATELY TO TRANSFER APPLIED PRODUCT LOADS TO THE BUILDING STRUCTURE.

ANCHORS SHALL BE CORROSION RESISTANT, SPACED AS SHOWN ON DETAILS AND INSTALLED PER MANUF.'S INSTRUCTIONS. SPECIFIED EMBEDMENT TO BASE MATERIAL SHALL BE BEYOND WALL DRESSING OR STUCCO.

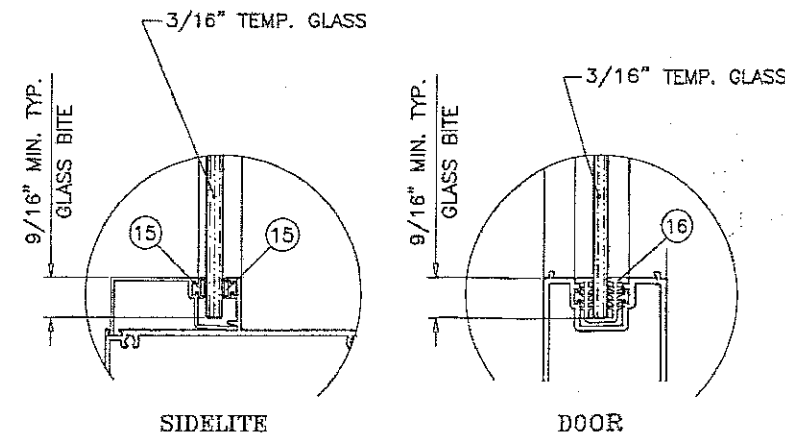
A LOAD DURATION INCREASE IS USED IN DESIGN OF ANCHORS INTO WOOD ONLY.
 ALL SHIMS TO BE HIGH IMPACT, NON-METALLIC AND NON-COMPRESSIBLE.

MATERIALS INCLUDING BUT NOT LIMITED TO STEEL/METAL SCREWS, THAT COME INTO CONTACT WITH OTHER DISSIMILAR MATERIALS SHALL MEET THE REQUIREMENTS OF THE 2014/2017 FLORIDA BLDG. CODE & ADOPTED STANDARDS.

THIS PRODUCT APPROVAL IS GENERIC AND DOES NOT PROVIDE INFORMATION FOR A SITE SPECIFIC PROJECT, I.E. LIFE SAFETY OF THIS PRODUCT, ADEQUACY OF STRUCTURE RECEIVING THIS PRODUCT AND SEALING AROUND OPENING FOR WATER INFILTRATION RESISTANCE ETC.
 CONDITIONS NOT SHOWN IN THIS DRAWING ARE TO BE ANALYZED SEPARATELY, AND TO BE REVIEWED BY BUILDING OFFICIAL.

TYPICAL ELEVATIONS

DOORS NOT RATED FOR IMPACT.
 INSTALLATION OF THIS PRODUCT IN THE HVHZ AREA REQUIRES THE USE OF APPROVED SHUTTERS OR EXTERNAL PROTECTION DEVICES COMPLYING WITH HVHZ REQUIREMENTS.
 INSTALLATION OF THIS SYSTEM OUTSIDE THE HVHZ AREA SHALL MEET THE APPLICABLE REQUIREMENTS FOR WIND BORNE DEBRIS PROTECTION.

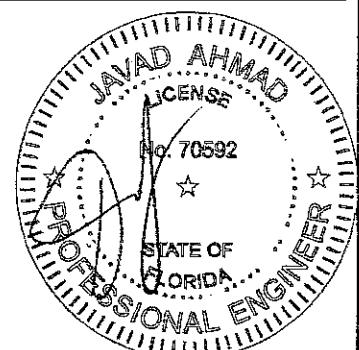


GLAZING DETAIL

PRODUCT REVISED
 as complying with the Florida Building Code
 NOA-No. 17-1226.07

Expiration Date 04/28/2020

By *[Signature]*
 Miami-Dade Product Control



af c
AL-FAROOQ CORPORATION
 ENGINEERS & PRODUCT DEVELOPMENT
 9360 SUNSET DRIVE, SUITE 220
 MIAMI, FLORIDA 33173 (C.A.N. 3688)
 TEL. (305) 264-8100 FAX. (305) 262-6978
 COMP-ANL W05-02

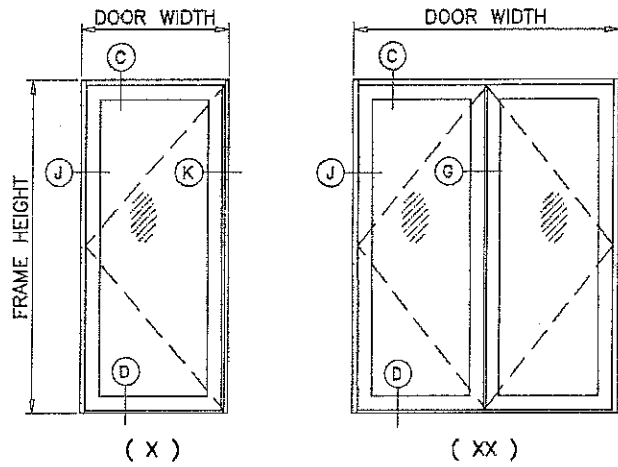
ALUMINUM OUTSWING FRENCH DOOR (N.I.)
AMERICAN ALUMINUM DOORS CORP.
 1026 EAST 24TH STREET
 HIALEAH, FL. 33013
 TEL. (305) 693-2642 FAX. (305) 693-2851

no	date	description
A	12.10.09	UPDATED FOR 2007 FBC
B	06.08.10	MANUF. ADDRESS REV.
C	01.13.12	UPDATED TO 2010 FBC
D	12.10.14	UPDATED TO 2014 FBC
E	11.01.17	UPDATED TO 2017 FBC

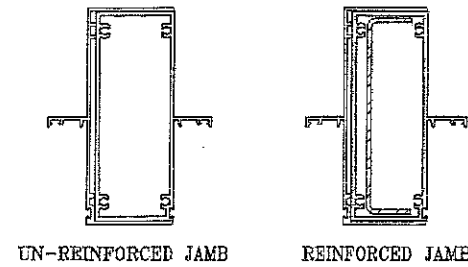
date: 01-11-05
 scale: 3/8" = 1"
 dr. by: TARIQ
 chk. by:

drawing no.
W05-02
 sheet 1 of 6

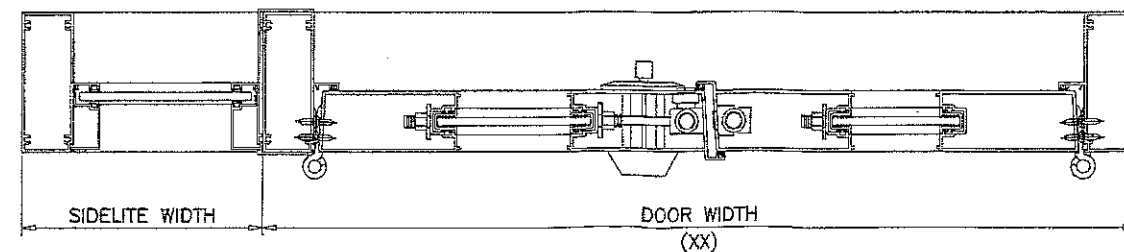
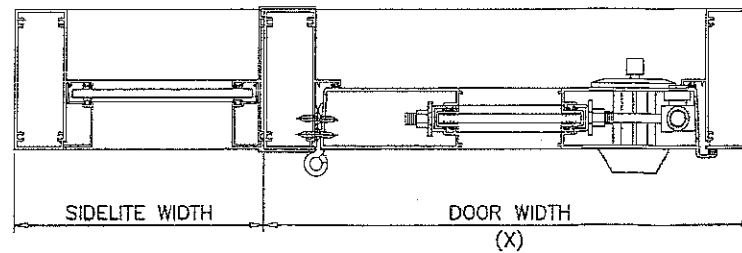
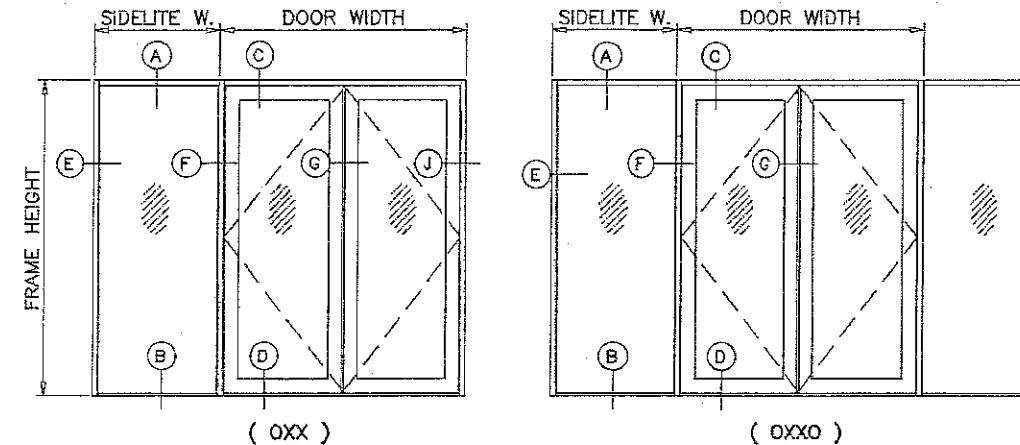
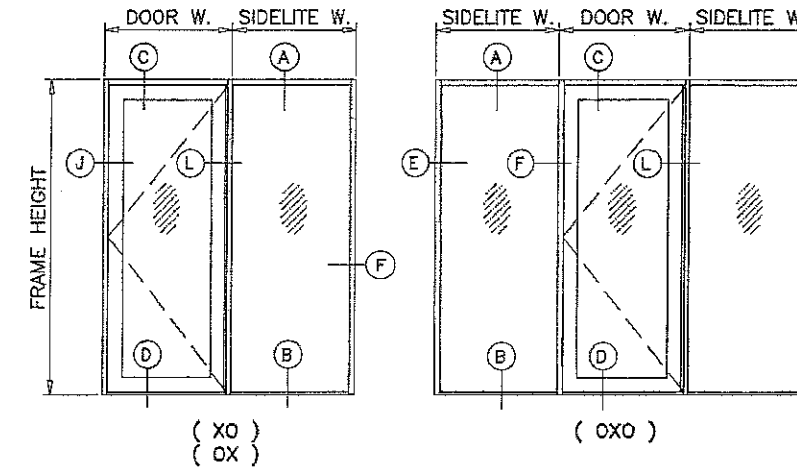
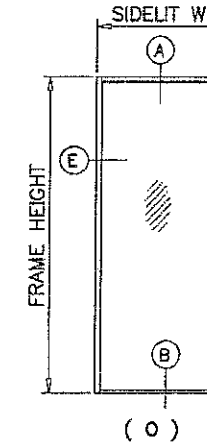
DOORS WITHOUT SIDELITES				
DESIGN LOAD CAPACITY - PSF				
FRAME HEIGHT INCHES	DOOR WIDTH INCHES		3/16" TEMP. GLASS	
			EXT. (+)	INT. (-)
80	30 (X)	60 (XX)	75.3	108.0
	33 (X)	66 (XX)	75.3	98.2
	36 (X)	72 (XX)	75.3	90.0
84	30 (X)	60 (XX)	75.3	102.9
	33 (X)	66 (XX)	75.3	93.5
	36 (X)	72 (XX)	75.3	85.7
90	30 (X)	60 (XX)	75.3	96.0
	33 (X)	66 (XX)	75.3	87.3
	36 (X)	72 (XX)	75.3	80.0
96	30 (X)	60 (XX)	75.3	90.0
	33 (X)	66 (XX)	75.3	81.8
	36 (X)	72 (XX)	75.0	75.0



STATIONARY PANEL (G) OR DOORS WITH SIDELITES						
DESIGN LOAD CAPACITY - PSF						
FRAME HEIGHT INCHES	DOOR WIDTH INCHES	SIDELITE WIDTH INCHES	UN-REINFORCED JAMB		REINFORCED JAMB	
			EXT. (+)	INT. (-)	EXT. (+)	INT. (-)
80	30 (X)	30	75.3	108.0	75.3	108.0
	60 (XX)	36	75.3	94.4	75.3	94.4
	36 (X)	30	75.3	108.0	75.3	108.0
84	30 (X)	30	75.3	101.7	75.3	101.7
	60 (XX)	36	75.3	88.6	75.3	88.6
	36 (X)	30	75.3	99.6	75.3	101.7
90	30 (X)	30	75.3	89.1	75.3	93.6
	60 (XX)	36	75.3	81.0	75.3	81.3
	36 (X)	30	75.3	81.0	75.3	93.6
96	30 (X)	30	73.4	73.4	75.3	86.7
	60 (XX)	36	86.7	66.7	75.3	75.0
	36 (X)	30	66.7	66.7	75.3	84.2
	72 (XX)	36	61.2	61.2	75.0	75.0



PRODUCT REVISED
as complying with the Florida
Building Code
NOA-No. **17-1226.07**
Expiration Date **04/28/2020**
By *[Signature]*
Miami-Dade Product Control



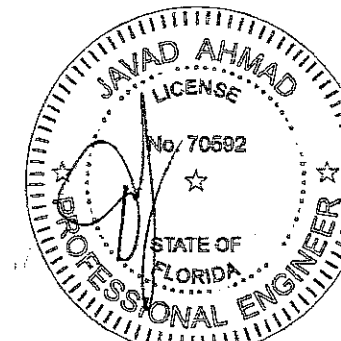
NOTE:
GLASS CAPACITIES ON THIS SHEET ARE
BASED ON ASTM E1300-09 (3 SEC. GUSTS)
AND FLORIDA BUILDING COMMISSION
DECLARATORY STATEMENT DCA05-DEC-219

afC
AL-FAROOQ CORPORATION
ENGINEERS & PRODUCT DEVELOPMENT
9360 SUNSET DRIVE, SUITE 220
MIAMI, FLORIDA 33173 (C.A.N. 3638)
TEL. (305) 264-8100 FAX. (305) 262-6978
COMP-ANL W05-02

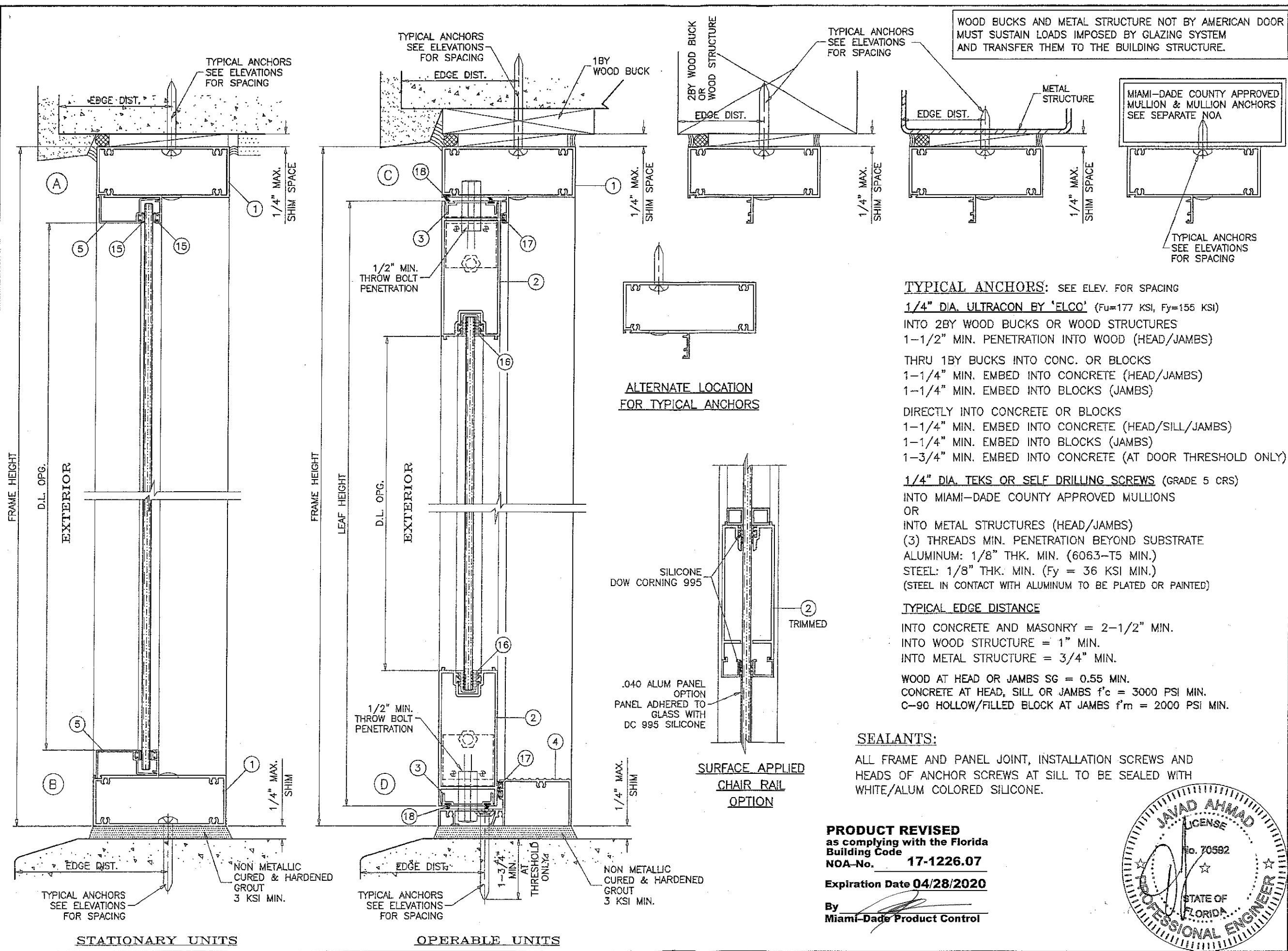
ALUMINUM OUTSWING FRENCH DOOR (N.I.)
AMERICAN ALUMINUM DOORS CORP.
1026 EAST 24TH STREET
HIALEAH, FL. 33013
TEL. (305) 693-2642 FAX. (305) 693-2851

no.	date	by	description
A	12.10.09		UPDATED FOR 2007 FBC
B	06.08.10		MANUF. ADDRESS REV.
C	01.13.12		UPDATED TO 2010 FBC
D	12.10.14		UPDATED TO 2014 FBC
E	11.01.17		UPDATED TO 2017 FBC

date: 01-11-05
scale: 3/8" = 1"
dr. by: TARIQ
chk. by:



drawing no.
W05-02
sheet 2 of 6



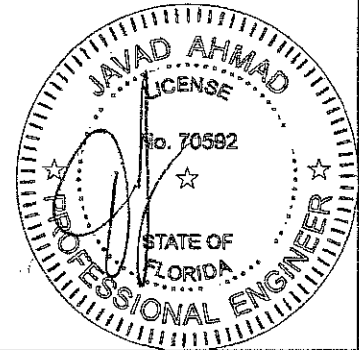
afC
AL-FAROOQ CORPORATION
 ENGINEERS & PRODUCT DEVELOPMENT
 9360 SUNSET DRIVE, SUITE 220
 MIAMI, FLORIDA 33173 (C.A.N. 3538)
 TEL. (305) 264-8100 FAX. (305) 262-6978
 COMP-ANL-W05-02

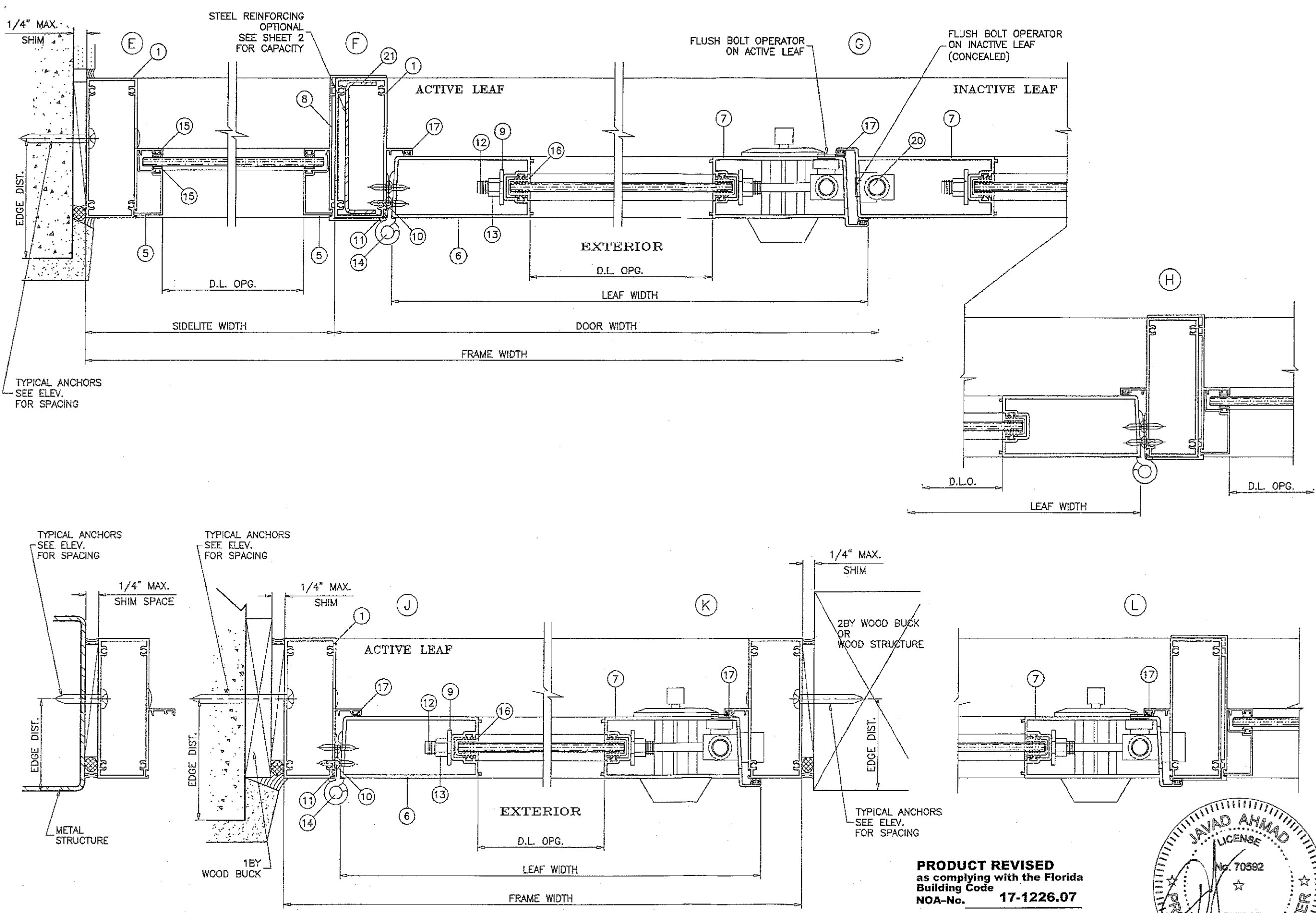
ALUMINUM OUTSWING FRENCH DOOR (N.I.)
AMERICAN ALUMINUM DOORS CORP.
 1026 EAST 24TH STREET
 HIALEAH, FL. 33013
 TEL. (305) 693-2642 FAX. (305) 693-2851

no	date	description	by
A	12.10.09	UPDATED FOR 2007 FBC	
B	06.08.10	MANUF. ADDRESS REV.	
C	01.13.12	UPDATED TO 2010 FBC	
D	12.10.14	UPDATED TO 2014 FBC	
E	11.01.17	UPDATED TO 2017 FBC	

date: 01-11-05
 scale: 3/8" = 1"
 dr. by: TARIQ
 chk. by:
 drawing no. **W05-02**
 sheet 3 of 6

PRODUCT REVISED
 as complying with the Florida
 Building Code
 NOA-No. **17-1226.07**
 Expiration Date **04/28/2020**
 By *[Signature]*
 Miami-Dade Product Control





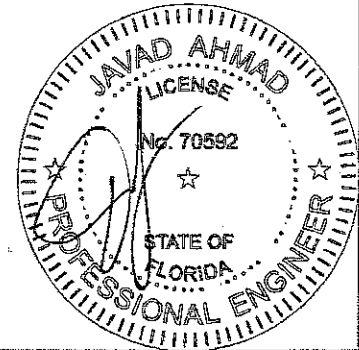
af c
AL-FAROOQ CORPORATION
 ENGINEERS & PRODUCT DEVELOPMENT
 9360 SUNSET DRIVE, SUITE 220
 MIAMI, FLORIDA 33173 (C.A.N. 3638)
 TEL. (305) 264-8100 FAX. (305) 262-8978
 COMP-ANL W05-02

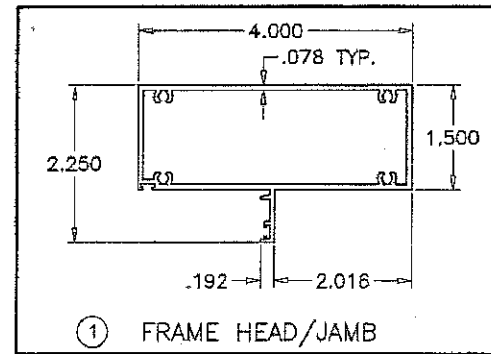
ALUMINUM OUTSWING FRENCH DOOR (N.I.)
AMERICAN ALUMINUM DOORS CORP.
 1026 EAST 24TH STREET
 HIALEAH, FL. 33013
 TEL. (305) 693-2642 FAX. (305) 693-2851

no	date	by	description
A	12.10.09		UPDATED FOR 2007 FBC
B	06.08.10		MANUF. ADDRESS REV.
C	01.13.12		UPDATED TO 2010 FBC
D	12.10.14		NO CHANGE THIS SHEET
E	11.01.17		UPDATED TO 2017 FBC

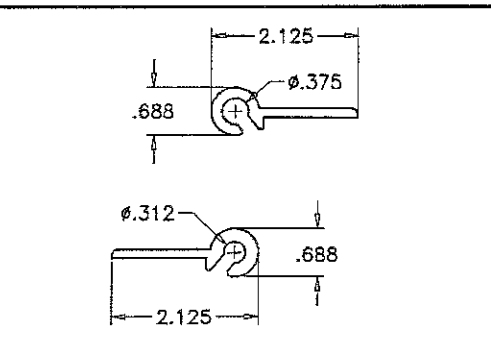
date: 01-11-05
 scale: 3/8" = 1"
 dr. by: TARIQ
 chk. by:
 drawing no. **W05-02**
 sheet 4 of 6

PRODUCT REVISED
 as complying with the Florida
 Building Code
 NOA-No. **17-1226.07**
 Expiration Date **04/28/2020**
 By *[Signature]*
 Miami-Dade Product Control

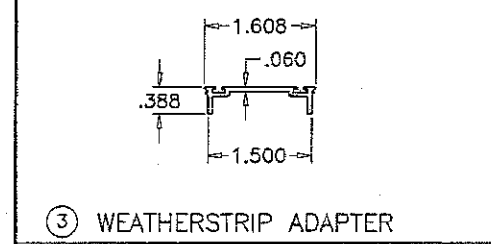




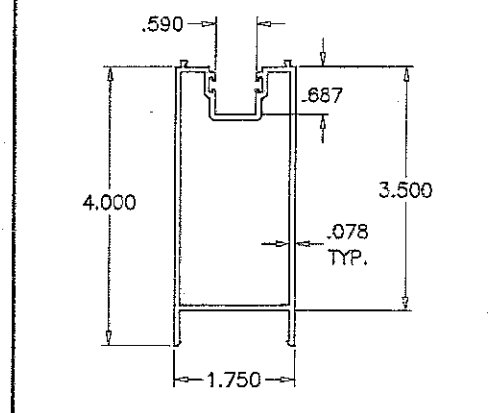
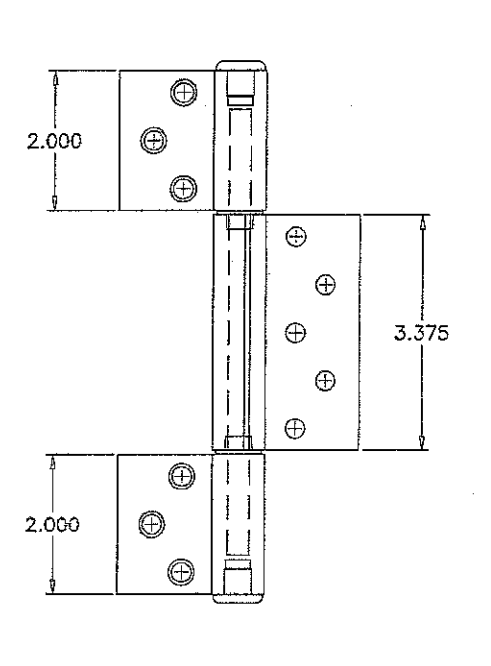
① FRAME HEAD/JAMB



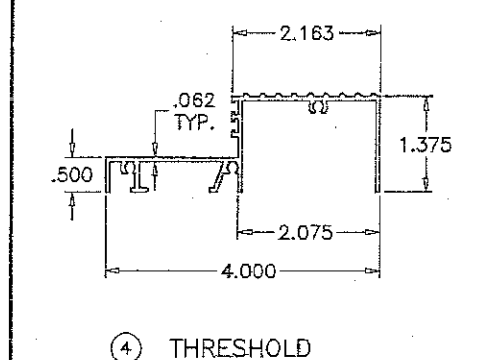
⑩ ⑪ 3 PIECE HINGE



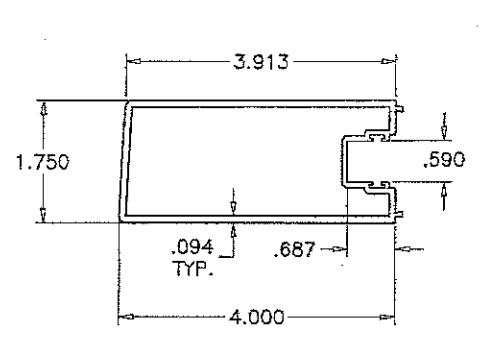
③ WEATHERSTRIP ADAPTER



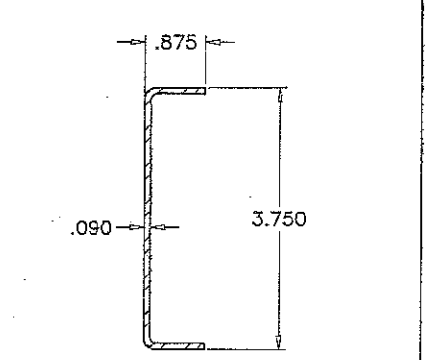
② TOP/BOTTOM RAIL



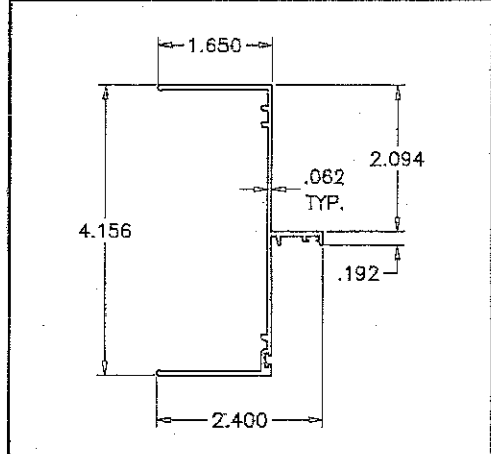
④ THRESHOLD



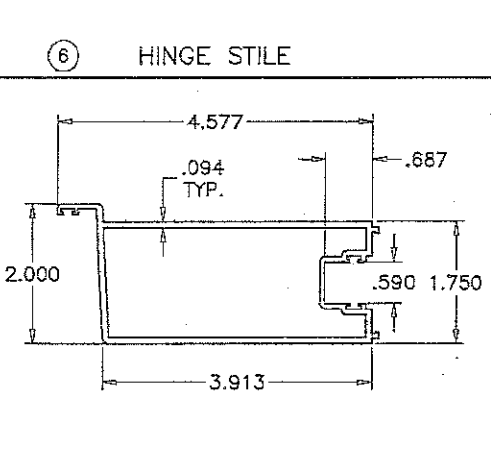
⑥ HINGE STILE



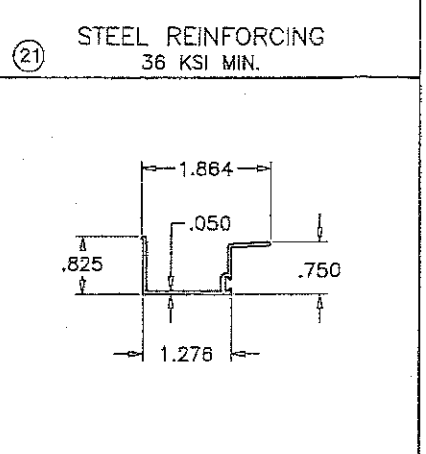
⑫ STEEL REINFORCING
36 KSI MIN.



⑧ SIDELITE JAMB



⑦ LOCK STILE



⑤ SIDELITE GLAZING BEAD

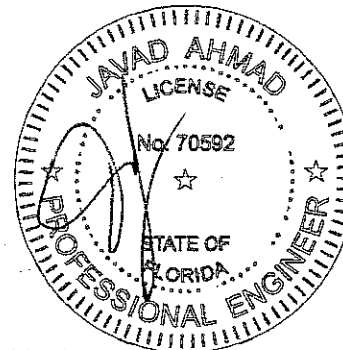
ITEM #	PART #	REQD.	DESCRIPTION	MATERIAL	MANF./SUPPLIER/REMARKS
1	R1-101	3/DOOR	FRAME HEAD/JAMB	6063-T6	-
2	R1-107	2/LEAF	DOOR TOP/BOTTOM RAIL	6061-T6	-
3	R1-104	AS REQD.	WEATHERSTRIP ADAPTER	6063-T5	-
4	R1-102	1/DOOR	THRESHOLD	6063-T5	-
5	R1-110	AS REQD.	GLAZING ADAPTER (SIDELITE)	6063-T5	-
6	R1-108	1/LEAF	HINGE STILE	6063-T5	-
7	R1-109	1/LEAF	LOCK STILE	6063-T5	-
8	R1-103	AS REQD.	SIDELITE JAMB	6063-T6	-
9	-	1/CORNER	ASSEMBLY WASHER	STEEL	1" O.D. X .450 I.D. X .110 THK.
10	R1-105	3/LEAF	HINGE DOOR PORTION	6063-T5	-
11	R1-106	3/LEAF	HINGE FRAME PORTION	6063-T5	-
12	-	2/LEAF	3/8"-16 X 32" LONG THREADED ROD	STEEL	-
13	-	2/LEAF	3/8"-16 NUT	-	-
14	-	1/HINGE	5/16" X 6" ROD	STEEL	PLATED STEEL
15	PT-336	AS REQD.	GLAZING VINYL (SIDELITE), DUROMETER 70±3 SHORE A	VINYL	MELTPOINT PLASTICS
16	1329	AS REQD.	GLAZING VINYL (LEAF), DUROMETER 70±3 SHORE A	VINYL	MELTPOINT PLASTICS
17	3063	AS REQD.	BULB WEATHERSTRIPPING, DUROMETER 78±3 SHORE A	FLEX PVC	MELTPOINT PLASTICS
18	W13331NW	AS REQD.	PILE WEATHERSTRIPPING	-	ULTRAFAB
20	2508	AS REQD.	FLUSH BOLTS	-	REGENT HARDWARE
21	-	OPTIONAL	REINFORCING CHANNEL	STEEL	-
22	#8 X 3/4"	AS REQD.	FRAME ASSEMBLY SCREWS	-	PH SMS

LOCKS:

- A) **INACTIVE LEAF**
CONCEALED FLUSH BOLTS: BY 'REGENT HARDWARE'
 SERIES 2508 MANUALLY OPERATED, LEVER LOCATED AT 14" FROM BOTTOM AND 17" FROM TOP
- B) **ACTIVE LEAF:**
- 1) CONVENTIONAL DOOR KNOB LOCKSET AT 36-1/2" FROM BOTTOM BY 'YALE NEW TRADITIONS'
 - 2) KEY OPERATED ON EXTERIOR AND THUMB TURN ON INTERIOR THROW BOLT LOCATED AT 43-1/2" FROM BOTTOM BY 'YALE NEW TRADITIONS'
 - 3) CONCEALED FLUSH BOLTS, MANUALLY OPERATED LEVER MOUNTED ON INSIDE FACE OF LEAF STILE LOCATED AT 14" FROM BOTTOM AND 17" FROM TOP.

NOTE: TOP AND BOTTOM FLUSH BOLTS MUST BE ENGAGED DURING PERIODS OF HURRICANE WARNING.

PRODUCT REVISED
 as complying with the Florida Building Code
 NOA-No. **17-1226.07**
 Expiration Date **04/28/2020**
 By *[Signature]*
 Miami-Dade Product Control

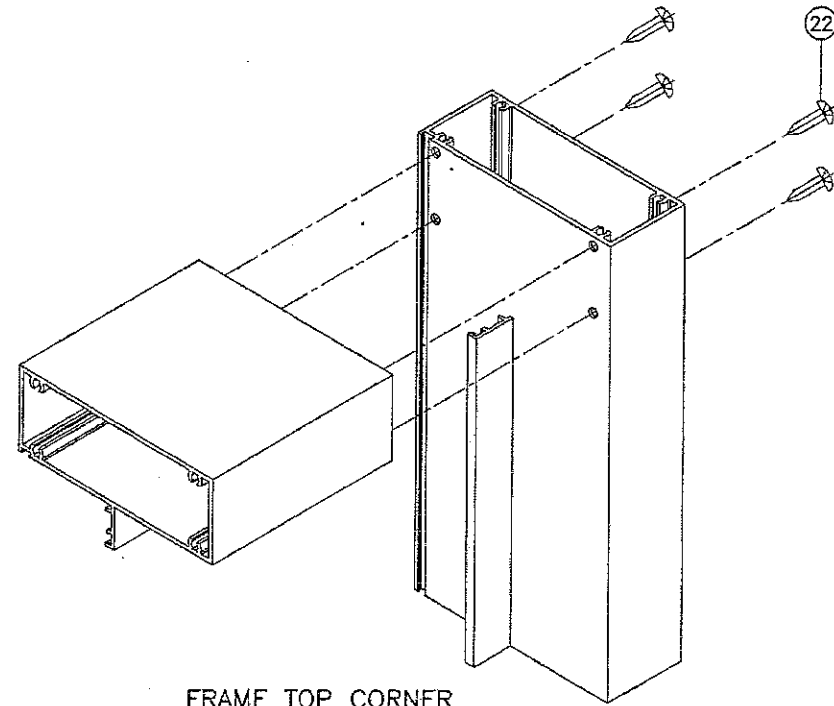


afC
AL-FAROOQ CORPORATION
 ENGINEERS & PRODUCT DEVELOPMENT
 9360 SUNSET DRIVE, SUITE 220
 MIAMI, FLORIDA 33173 (C.A.N. 3588)
 TEL. (305) 264-8100 FAX. (305) 262-6978
 COMP-ANL W05-02

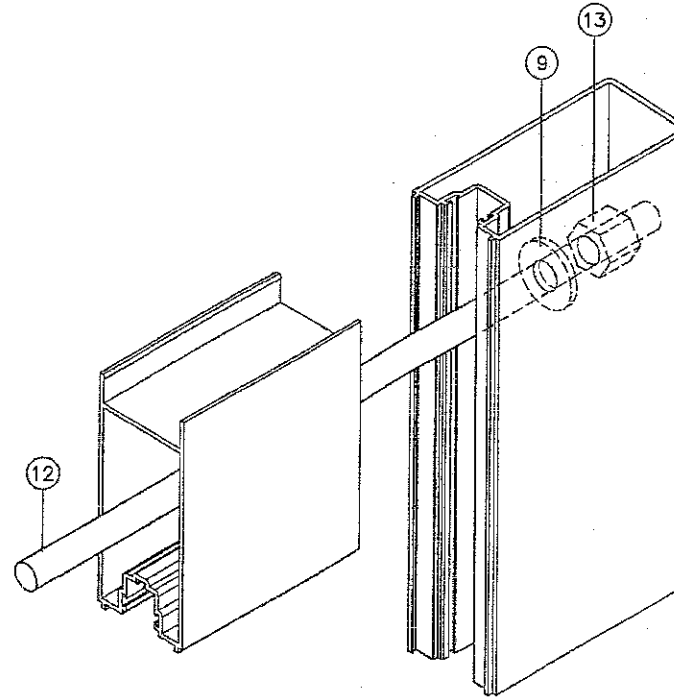
ALUMINUM OUTSWING FRENCH DOOR (N.I.)
AMERICAN ALUMINUM DOORS CORP.
 1026 EAST 24TH STREET
 HIALEAH, FL. 33013
 TEL. (305) 693-2842 FAX. (305) 693-2851

revisions:	no	date	by	description
	A	12.10.09		UPDATED FOR 2007 FBC
	B	06.08.10		MANUF. ADDRESS REV.
	C	01.13.12		UPDATED TO 2010 FBC
	D	12.10.14		NO CHANGE THIS SHEET
	E	11.01.17		UPDATED TO 2017 FBC

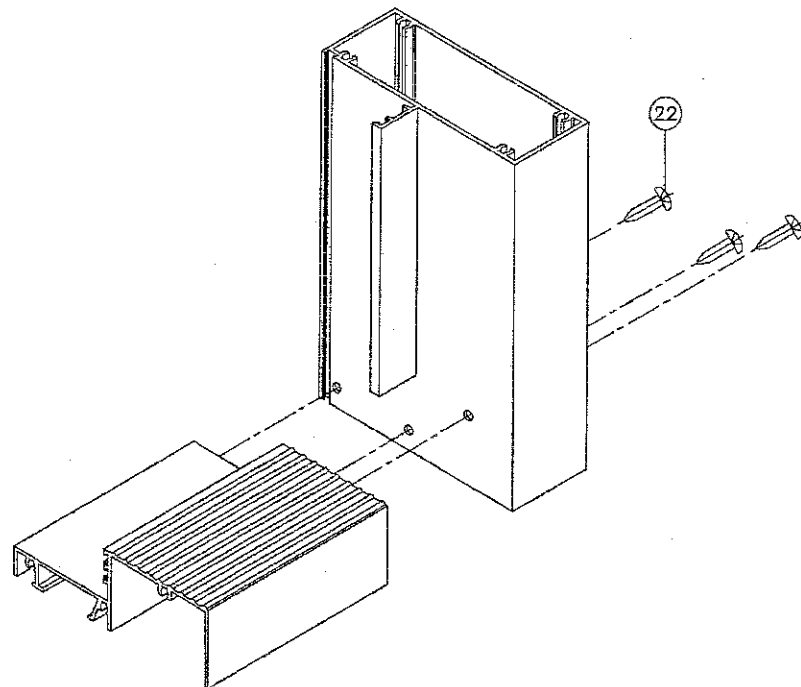
date: 01-11-05
 scale: 3/8" = 1"
 dr. by: TARIQ
 chk. by:
 drawing no. **W05-02**
 sheet 5 of 6



FRAME TOP CORNER



DOOR LEAF CORNER

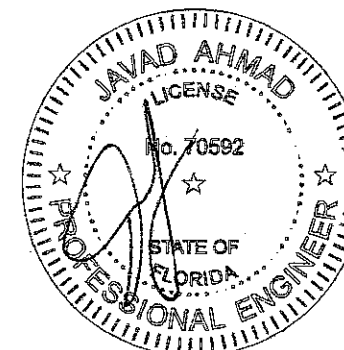


FRAME BOTTOM CORNER

PRODUCT REVISED
 as complying with the Florida
 Building Code
 NOA-No. **17-1226.07**

Expiration Date **04/28/2020**

By 
 Miami-Dade Product Control



afc
AL-FAROOQ CORPORATION
 ENGINEERS & PRODUCT DEVELOPMENT
 9360 SUNSET DRIVE, SUITE 220 (C.A.N. 3538)
 MIAMI, FLORIDA 33173
 TEL. (305) 264-8100 FAX. (305) 262-6978
 COMP--ANL\W05-02

ALUMINUM OUTSWING FRENCH DOOR (N.I.)
AMERICAN ALUMINUM DOORS CORP.
 1026 EAST 24TH STREET
 HIALEAH, FL. 33013
 TEL. (305) 693-2642 FAX. (305) 693-2851

revisions:	
no	date
A	12.10.09
B	06.08.10
C	01.13.12
D	12.10.14
E	11.01.17

date:	01-11-05
scale:	3/8" = 1"
dr. by:	TARIQ
chk. by:	

drawing no.
W05-02
 sheet 6 of 6